



## Puff Irons

Models 7PS, 25PS & 33PS



33PSVH Triple Puff



7PS Single Puff



25PS Double Puff

- Unique design assures no steam leaks
- Five specialized buck shapes to choose from
- Integrated vacuum available on PSV and PSVH models
- Dual pedals, fabric heads, vacuum connection available on all Puff Irons

[www.forentausa.com](http://www.forentausa.com)

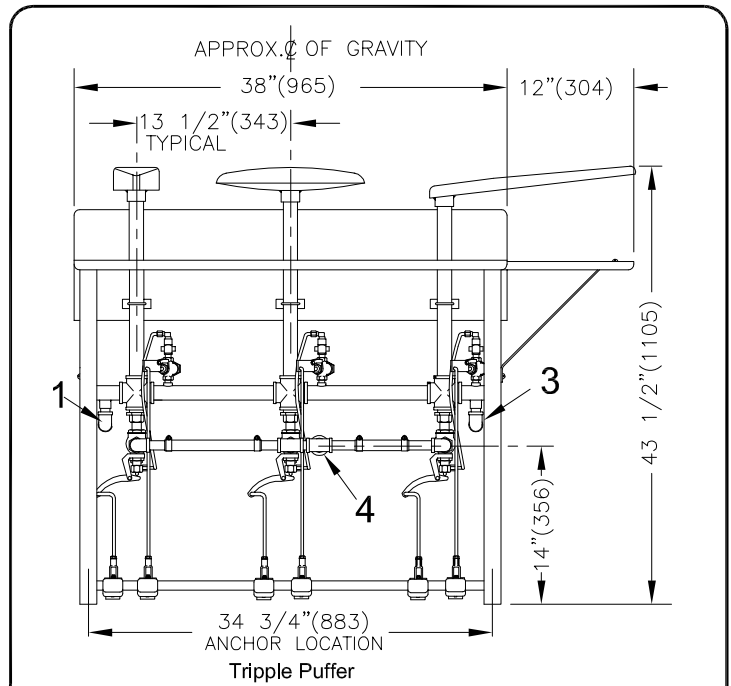
Tel: 423-586-5370 • Email: [info@forentausa.com](mailto:info@forentausa.com)

Made in USA

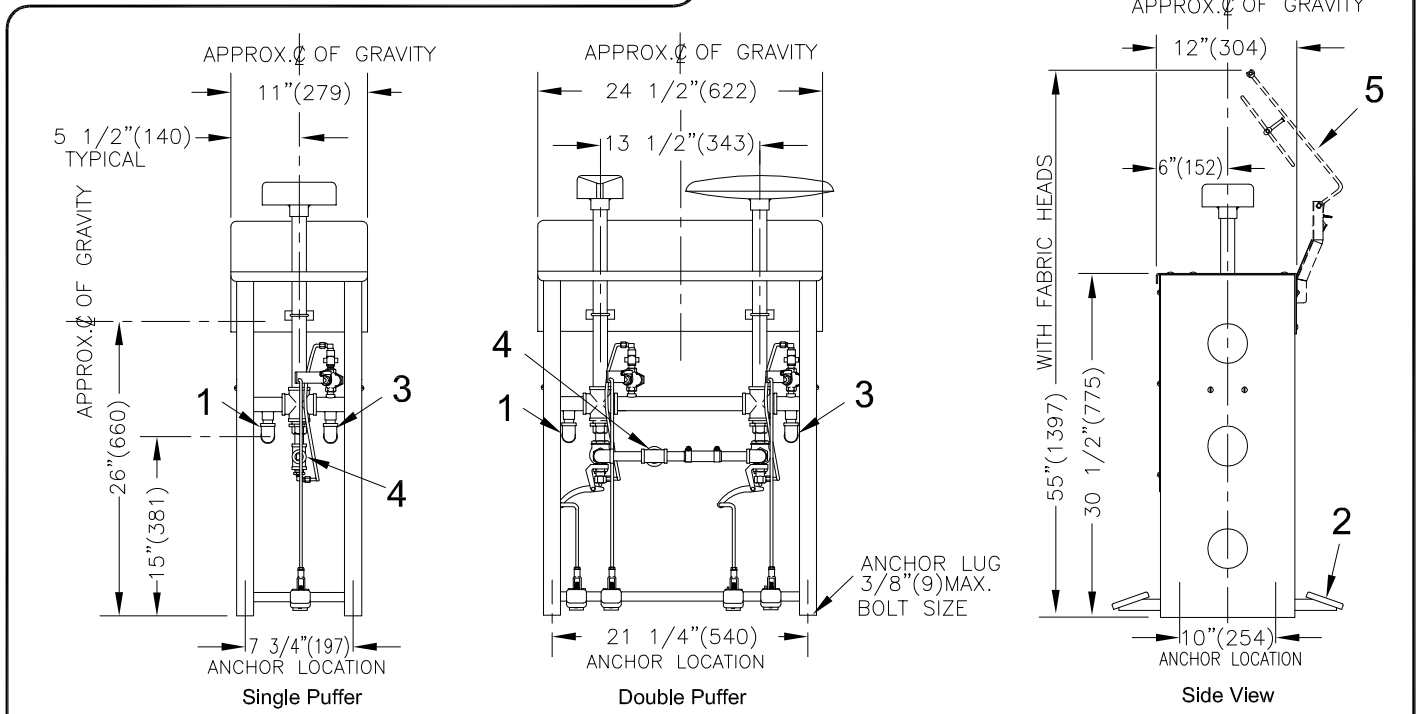
# Specifications

## Model Puff Irons

Steam and Vacuum connection		Puff Irons	
Steam Inlet	NPT	1/2"	
Steam Outlet	NPT	1/2"	
Rec. steam pressure	PSIG kPa	75-85 517-586	
Steam consumption @ 80psig(552 kPa)	BHP kg/hr lb/hr	0.25 3.9 8.6	
Air Vacuum Connection	NPT	1 1/4"	
<b>Weight (crated)</b>			
Shipping	Single Puffer	lbs kg	70 32
Weights include all features. Weights may be reduced slightly if some features are omitted.	Double Puffer	lbs kg	112 51
	Tripple Puffer	lbs kg	206 93
	1 Steam connection      4 Air Vacuum Connection (optional) 2 Double Pedal (optional)    5 Fabric Head (optional) 3 Steam Outlet connection		



### Detail Line Drawing (millimeters shown in parentheses)



### BUCK DIMENSIONS (unpadded)

