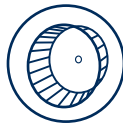


SINGLE-LOAD TOP-LOAD MATCHING DRYERS


MDG20MWTGW



NON-VEND
MDG20MWTGW pictured




TURBOVENT® SYSTEM

- Enables installation in long or complicated venting environments
- Helps improve component life
-  ▪ High airflow helps reduce drying times for a wide variety of loads




CONTROLS TO MEET YOUR NEEDS

- Simple user interface with robust, easy-to-use knobs
-  ▪ In-use light helps keep users informed



LARGE CAPACITY

- 7.4 cu. ft. capacity dryer helps allow for large loads to be dried efficiently and effectively
- 10.5 kg rated capacity
- Delivers an optimal drying experience for users and helps maximize productivity
-  ▪ Extra-large reversible door — provides users unhindered access while loading and unloading



BUILT TO LAST

- Porcelain enamel top — a durable finish that stands up to the demands of high traffic
- Blower guard — protects components to reduce service calls
- Full wrap console — designed to help protect the internal components
- Front-panel accessibility — provides fast entry to internal components for streamlined service
- Four-roller suspension — provides dependable operation and longer life



AMERICA
AN AMERICAN COMPANY FOR OVER 100 YEARS

See maytagcommerciallaundry.com for warranty details.

 End user benefits

VISIT MAYTAGCOMMERCIALLAUNDRY.COM FOR MORE INFORMATION.

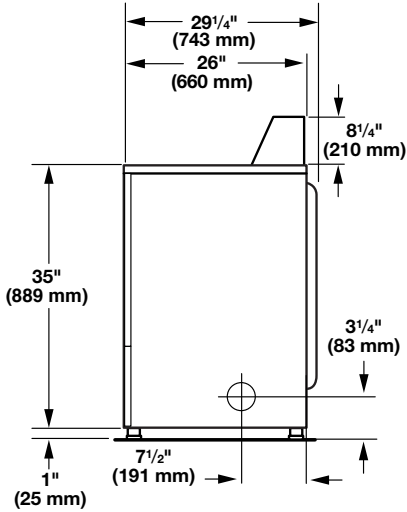
®/™ © 2023 Maytag. All rights reserved.
MY220178 01/23

SINGLE-LOAD TOP-LOAD MATCHING DRYERS

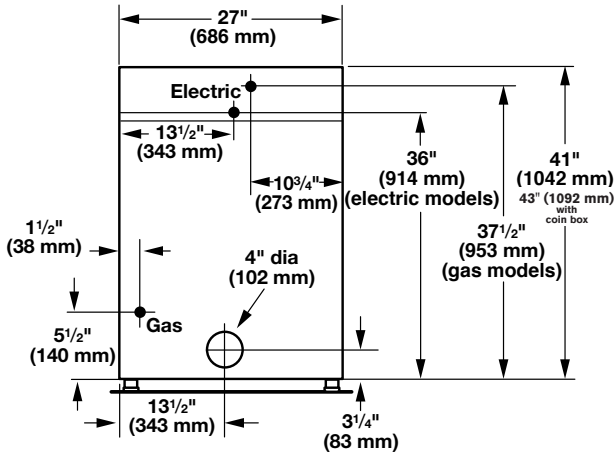
MDG20MWTGW



SIDE VIEW



BACK VIEW



MAXIMUM EXHAUST DUCT LENGTH PER NUMBER OF TURNS

| Number Of 90° Turns | Rigid Metal Vent | |
|---------------------|-----------------------------|-------------------|
| | Box Hood and Louvered Style | Angled Hood Style |
| 0 | 64 ft. (19.5 m) | 58 ft. (17.7 m) |
| 1 | 54 ft. (16.5 m) | 48 ft. (14.6 m) |
| 2 | 44 ft. (13.4 m) | 38 ft. (11.6 m) |
| 3 | 35 ft. (10.7 m) | 29 ft. (8.8 m) |
| 4 | 27 ft. (8.2 m) | 21 ft. (6.4 m) |

| MODEL | MDG20MWTGW |
|------------------------------------|----------------|
| PAYMENT CONFIGURATION | Non-Vend |
| FUEL TYPE | Gas |
| CAPACITY | |
| Cylinder Volume — cu. ft. (liters) | 7.4 (210) |
| Cylinder Diameter — in. (mm) | 26.26 (667) |
| Cylinder Depth — in. (mm) | 23.2 (590) |
| IEC Capacity — lb. (kg) | 23.2 (10.5) |
| DIMENSIONS | |
| Width — in. (mm) | 27 (686) |
| Depth — in. (mm) | 29.25 (743) |
| Height — in. (mm) | 43 (1,092)* |
| Door Opening — in. (mm) | 20.25 (514) |
| Exhaust Duct Diameter — in. (mm) | 4 (101.6)** |
| CRATED DIMENSIONS | |
| Crated Width — in. (mm) | 28.8 (731) |
| Crated Depth — in. (mm) | 30.8 (782) |
| Crated Height — in. (mm) | 44.65 (1,134) |
| APPROXIMATE WEIGHT | |
| Uncrated — lb. (kg) | 127 (57.6) |
| Crated — lb. (kg) | 137 (62.1) |
| ELECTRICAL REQUIREMENTS | |
| Voltage | 220-240V |
| Frequency | 50Hz |
| Breaker/Fuse — Amps | 10 |
| Airflow — CFM (CMM) | 230 (6.50) |
| Electric Heating Element (watts) | N/A |
| Gas Rating — BTU/hr (kcal/hr) | 20,000 (5,040) |
| Gas Inlet Size — in. | 3/8 N.P.T. |
| Motor Size — HP (kW) | 1/3 (.25) |



*Includes height of metercase for coin drop and coin slide models.
 **Use 4" (102 mm) diameter rigid aluminum or galvanized steel duct. Never use plastic, non-metal, or combustible duct.
 Dimensions are for planning purposes only. See specific instructions for proper installation. Because of continuous product improvement, Maytag reserves the right to change specifications without notice.