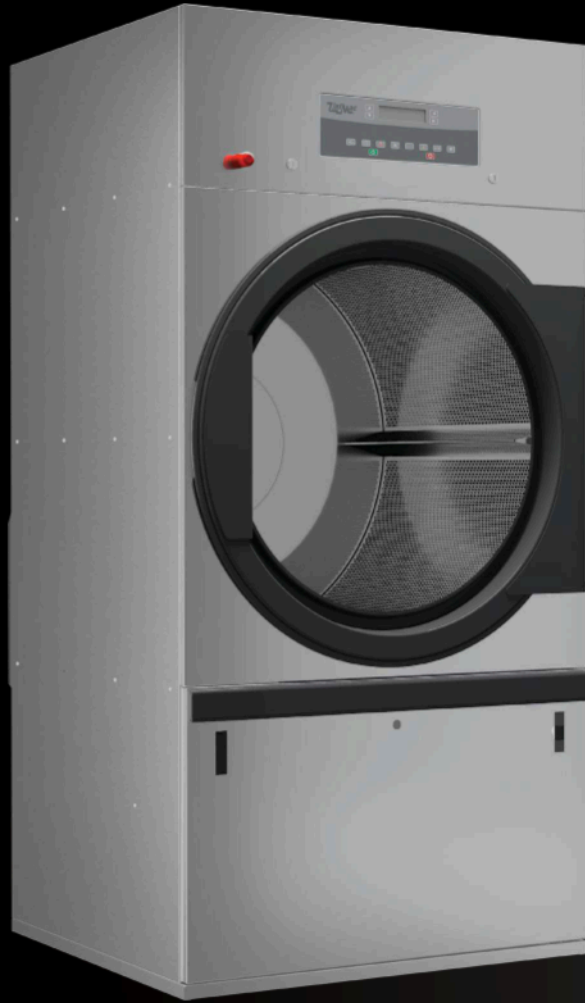




Maximum Performance



UDR530 - 680

FEATURES AND BENEFITS

- Standard galvanized drum with large diameter
- Large door opening for easy loading & unloading
- Cloud - based platform to easily monitor your laundry everywhere and at any time
- Self cleaning lint screen
- Radial airflow
 - maximal heat transfer
 - low energy consumption
 - short drying time

OPTIONS

- Stainless steel front

- Reversing drum
- Double door glass and insulation
- Residual moisture control:
 - safe drying of delicate linen
 - humidity detection in %
 - ideal for dry cleaners, fire depts
- WiFi kit - to order through Accessories

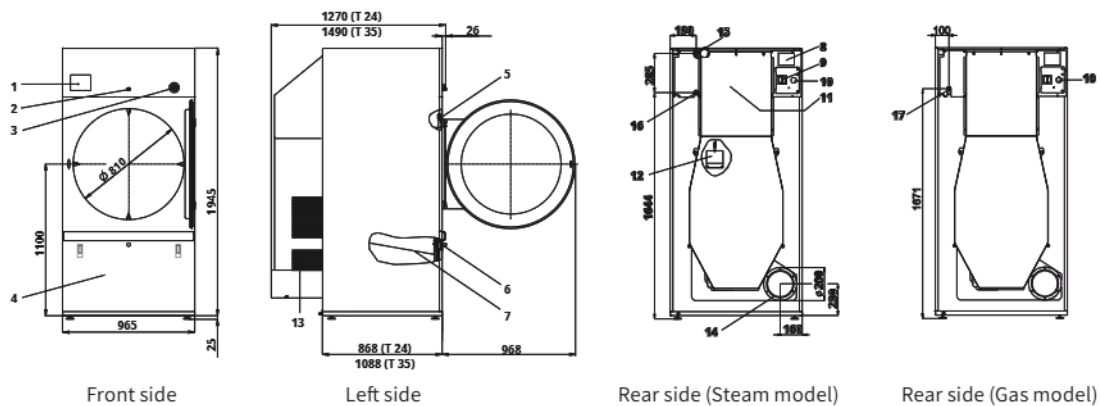
CONTROL

- Easy - To - Use Microprocessor (ECT) - intuitive control with simple selection of 3 programs
- Full Control Programmer (FCT) - fully programmable timer with possibility of residual moisture control

TUMBLE DRYER

TYPE		UDR530	UDR680
CAPACITY			
Capacity 1:18	kg (lb)	25(55)	38(84)
Capacity 1:22	kg (lb)	24(56)	31(68)
Drum volume	l	530	680
Drum diameter	mm	Ø 930	Ø 930
AIRFLOW	m ³ /h	950	1200
DRYING AVERAGE	l/min.	0,384	0,560
MOTORS			
Fan	kW	0,55	0,55
Drive	kW	0,25	0,25
GAS HEATING			
Gas connection	NPT	3/4"	3/4"
Electrical connection		3x380 - 415V 50Hz, 3x380 - 415V 60Hz, 3x380 - 415V +N 50Hz, 3x380 - 415V +N 60Hz, 3x208 - 240V 50Hz, 3x208 - 240V 60Hz, 208 - 240V 50Hz 1Ph, 208 - 240V 60Hz 1Ph, 3x440V 60Hz, 3x480V 50Hz, 3x480V 60Hz	
Energy	kW	33/39	46/50
	kBTU/h	112,6/133,1	157,9/170,6
STEAM HEATING			
Steam connection	inch	3/4"	3/4"
Electrical connection		3x380 - 415V 50Hz, 3x380 - 415V 60Hz, 3x208 - 240V 50Hz, 3x208 - 240V 60Hz, 208 - 240V 50Hz 1Ph, 208 - 240V 60Hz 1Ph, 3x440V 60Hz,	
Steam output *	kW	27 - 36,2	39,3 - 52,7
Steam pressure	bar	3 - 6 / 7 - 10	3 - 6 / 7 - 10
ELECTRICAL HEATING			
Electrical connection		3x380 - 415V 50Hz, 3x380 - 415V 60Hz, 3x208 - 240V 50Hz, 3x208 - 240V 60Hz, 208 - 240V 50Hz 1Ph, 208 - 240V 60Hz 1Ph, 3x440V 60Hz, 3x480V 50Hz, 3x480V 60Hz	
Energy	kW	30/36	36/48
EXHAUST	mm	200	200
DIMENSIONS			
Size HxWxD	mm	1975x965x1270	1975x965x1490
Net weight	kg	275	305
TRANSPORT DATA			
Packed HxWxD	mm	2075x1040x1320	2075x1040x1540
Gross weight	kg	300	330

+ = available, The data concerning dimensions of machines include all extended parts



- | | | |
|-------------------------------------|------------------------------|---------------------------|
| 1. Programmer | 7. Lint screen | 13. Suction |
| 2. Lock of the control panel | 8. Name plate | 14. Exhaust piping |
| 3. Emergency stop button | 9. Main switch | 15. Steam supply |
| 4. Lint screen cover | 10. Main power supply | 16. Condense drain |
| 5. Door lock microswitch | 11. Heating chamber | 17. Gas connection |
| 6. Lint cover microswitch | 12. Airflow switch | |

CONSULT YOUR SALES REPRESENTATIVE FOR AVAILABILITY

For the most accurate information, the installation guide should be used for all design and construction purposes. Due to continuous product improvements, design and specifications are subject to change without notice. www.unimac.com

UniMac by Alliance Laundry Systems