



**Maximum Performance**



## **UY180, UY240, UY280**

### **FEATURES AND BENEFITS**

- Freestanding, high spin
- Stainless steel front, side and top panels
- Stainless steel drum and tub
- Patented soap hopper
- High capacity water inlets (UY280)
- Large drain valve (Ø 76 mm)
- Easy access to all vital parts from the front
- Large door opening for easy loading & unloading

### **OPTIONS**

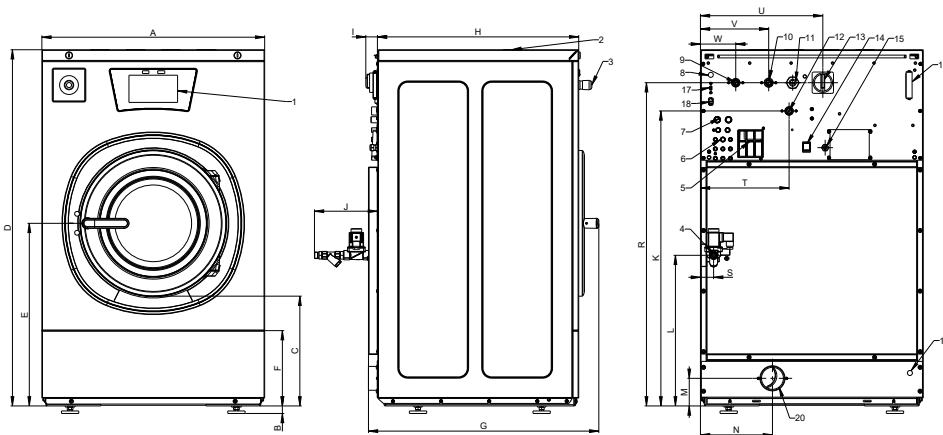
- Liquid soap pumps
- Liquid soap connection
- Stainless steel side panels
- Water recovery kit
- Steam heating version
- 3rd water inlet
- High capacity water inlets UY180,UY240
- USB & RS485 plug
- Eco version : lower kW rating on request

### **CONTROL**

- UniLinc Touch
  - 7" full color touch screen display with swipe function: very intuitive for users
  - user-friendly screen with operating instructions built in as part of the control
  - Complete control content available in 34 languages
  - 20 standard wash programmes, total memory capacity for 99 programmes
  - Automated service reminders remind users to maintenance tasks
  - Water leak detection
  - Slow drain detection
  - Temperature-time verification

**HIGH EFFICIENT SOFT-MOUNTED WASHER EXTRACTORS**

TYPE		UY180	UY240	UY280
<b>INNERDRUM</b>				
Capacity (1:10)	kg/lb	18/40	24/55	28/65
Capacity (1:9)	kg/lb	20/44	27/60	31/68
Volume	l	180	240	280
Diameter	mm	750	750	750
<b>DRUM SPEED</b>				
Wash	rpm	42	42	42
Extraction	rpm	980	980	915
G-Factor		400	400	350
<b>HEATING</b>				
Electricity very low - low - <b>standard</b> - higher - special 1-2-3	kW	<b>standard 12/higher18</b>	low 12 / <b>standard 18</b>	<b>standard 21.9</b>
Steam	bar	1-8	1-8	1-8
Hot water	°C	90	90	90
Sound pressure level	dB (A)	<65	<65	<65
Water valves connection	inch	3/4"	3/4"	3/4"
Water pressure	kPa	100-800	100-800	100-800
Rec. water pressure	kPa	300-500	300-500	300-500
Water inlet	l/min	20	20	20-50
Drain valve	outer Ø mm	76	76	76
Flow amount with drain valve	l/min	210	210	210
Steam valve connection	inch	1/2"	1/2"	1/2"
Steam pressure	kPa	100-800	100-800	100-800
<b>DIMENSIONS</b>				
HxWxD	mm	1430x970x970	1430x970x1105	1430x970x1185
<b>TRANSPORT DATA</b>				
Gross weight	kg	395	450	515
Net weight	kg	380	430	495
Packed HxWxD	mm	1570x1025x1015	1570x1025x1150	1570x1025x1225



- Control panel
- Soap dispenser
- Central stop button
- Steam connection
- Air relieve
- Liquid soap connection
- Recycled water inlet
- Recycled water valve cable inlet
- Cold water inlet, soft
- Cold water inlet, hard
- Electrical connection
- Hot water inlet
- Main switch
- Heating change-over switch
- Liquid soap pump electrical connection
- Fuses
- USB port - optional
- PC programming connection
- Discharge water cable inlet
- Drain valve <3 in (76 mm)
- Drain valve 1/2", applicable for wash bath sample (on request only)
- Hidden USD port (under top cover) - standard

TYPE	A	B	C	D	E	F	G	H	I	J	K	L	M	N
UY 180	970	24	477	1430	777	335	1095	1007	48	90	1234	490	108.5	270
UY 240	970	24	477	1430	777	335	1095	1007	48	90	1234	490	108.5	270
UY 280	970	24	477	1430	777	335	1175	1087	48	90	1234	490	108.5	270

TYPE	R	S	T	U	V	W
UY 180	1324	80	293	610	218	113
UY 240	1324	80	293	610	218	113
UY 280	1324	80	293	610	218	113

TO LEARN MORE, OR TO FIND A DISTRIBUTOR IN YOUR AREA, VISIT [UNIMAC.COM](http://UNIMAC.COM)

ALLIANCE LAUNDRY SYSTEMS - SHEPARD ST, RIPON WI 54971 - +1 800 587 5458

Consult your UniMac® distributor for details. For the most accurate information, the installation guide should be used for all design and construction purposes. Due to continuous product improvements, design and specifications subject to change without notice. The quality management systems at Alliance Laundry Systems' Ripon facility has been registered to ISO 9001:2008.

UniMac® by Alliance Laundry Systems