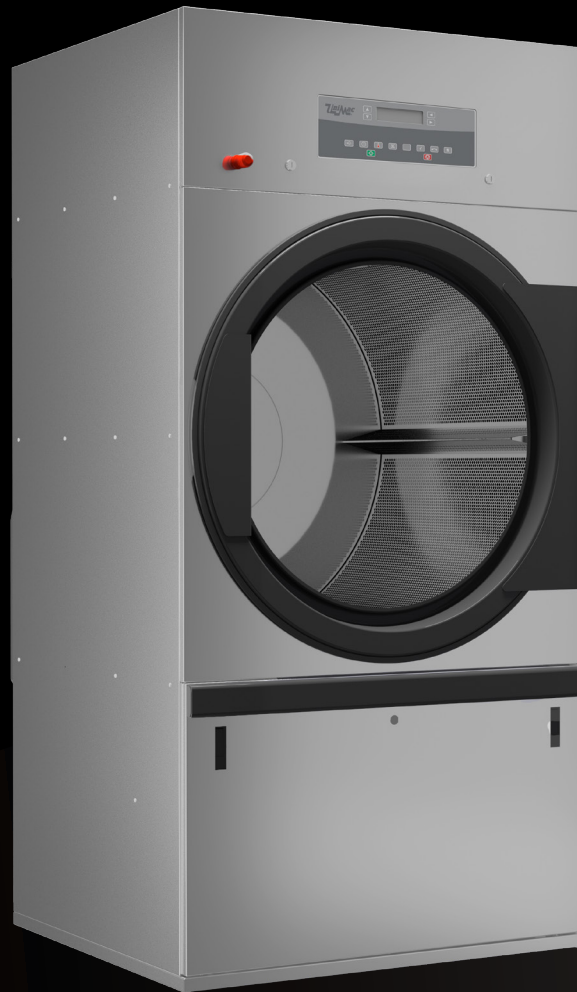




Maximum Performance



UDR530 - 680

FEATURES AND BENEFITS

- Standard galvanized drum with large diameter
- Easy-to-use microprocessor (ECT)
- Combination of radial airflow
 - maximal heat transfer
 - low energy consumption
 - short drying time
- Large door opening for easy loading and unloading
- Self cleaning lint screen

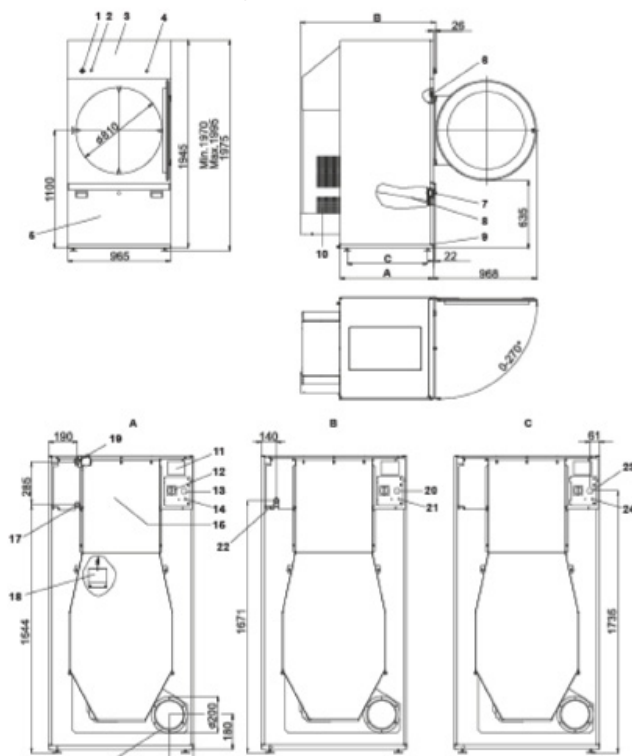
OPTIONS

- Reversing drum
- Stainless steel drum
- Flex Control Programmer (FCT)
- Residual moisture control:
 - Safe drying of delicate linen
 - Humidity detection in %
 - Ideal for fire departments
 - Available on Easy and Full Control
- Stainless steel front
- Wireless communication with cloud-based systems (WiFi kit- to order through Accessories)

INDUSTRIAL TUMBLE DRYER

TYPE		UDR530	UDR680
CAPACITY			
Capacity 1:18	kg/lb	29 / 55	38 / 84
Capacity 1:22	kg/lb	24 / 56	31 / 68
Drum volume	l	530	680
Drum diameter	Ø mm	930	930
DRYING PERFORMANCE			
Airflow	m ³ /h	950	1200
Drying average	l/min	0,384	0,560
MOTOR			
Fan	kW	0,55	0,55
Drive	kW	0,25	0,25
GAS HEATING			
Energy	kW	33/39	46/50
Energy	kBTU/h	112,6/133,1	157,9/170,6
Electrical connection		3x220-240V 50Hz, 1x220-240V 50Hz, 3x380-415V 50Hz	3x220-240V 50Hz, 1x220-240V 50Hz, 3x380-415V 50Hz
Gas connection	inch	3/4"	3/4"
ELECTRICAL HEATING			
Energy	kW	30/36	36/48
Electrical connection		3x220-240V 60Hz, 3x380-415V 50Hz, 3x480V 60Hz	3x220-240V 60Hz, 3x380-415V 50Hz, 3x480V 60Hz
STEAM HEATING			
Electrical connection	mm	1x208V-240V 60Hz (3x380V-415V 50/60Hz)	1x208V-240V 60Hz (3x380V-415V 50/60Hz)
Steam Connection (NPT)	inch	3/4"	3/4"
Steam output (*)	kW	27-36,2	39,3-52,7
Steam pressure	bar	7-10	7-10
CONNECTION			
Exhaust	mm	200	200
PROGRAMMER			
Easy Control with antivandal (ECT)		Standard	Standard
Full Control		Available	Available
DIMENSIONS			
H×W×D	mm	1975 x 965 x 1270	1975 x 965 x 1490
Net weight	kg	275	305
TRANSPORT DATA			
Packed H×W×D	mm	2075 x 1040 x 1320	2075 x 1040 x 1540
Gross weight	kg	300	330

1. + = available, The data concerning dimensions of machines include all extended parts



1. Emergency stop button (not applicable for version with coin meter)
2. Lock of the control panel
3. Emergency stop button (not applicable for version with coin meter)
4. Lock of the control panel
5. Lint screen cover
6. Door lock microswitch
7. Lint cover microswitch
8. Lint screen
9. Serial plate
10. Suction
11. Serial plate
12. Main switch
13. Main power supply
14. External payment system connection
15. Heating chamber
16. Exhaust piping
17. Condensate drain
18. Airflow switch
19. Steam supply
20. Main power supply
21. External payment system connection
22. Gas supply (G models only)
23. Main power supply
24. External payment system connection

TO LEARN MORE, OR TO FIND A DISTRIBUTOR IN YOUR AREA, VISIT UNIMAC.COM
ALLIANCE LAUNDRY SYSTEMS - SHEPARD ST, RIPON WI 54971 - +1 800 587 5458

Consult your UniMac® distributor for details. For the most accurate information, the installation guide should be used for all design and construction purposes. Due to continuous product improvements, design and specifications subject to change without notice. The quality management systems at Alliance Laundry Systems® Ripon facility has been registered to ISO 9001:2008.

©2023 Alliance Laundry Systems LLC.

UniMac® by Alliance Laundry Systems